

# ENCLOSURE A

NP 250 D TORTELLINI GR. 2-2,2





Km.0 s.r.l.  
Via 3 Novembre 51  
40042 Lizzano in Belvedere (BO)  
Tel. 0534 51419 Cell. 334 6117870

## TECNICAL DATA

---

APPLIED STANDARD	CE
NOISE EMISSION LEVELS	< 80 DB (a)
OPERATION	Elettromeccanica
OPERATORS REQUIRED	1
POWER SUPPLY	3X400 Volts-50 Hz +Terra
VOLTAGE VARIATION	+/- 5%
NEUTRAL	NO
AUXILIARI TENSION	24 Volts c.c.
INSTALLED POWER	2,3 Kw
OPERATING PRESSURE	5 / 6 bar
COMPRESSED AIR CONS.	80 NI/min
WATER	not required
LUBRIFICATION	Grease manual
TOTAL MACHINE WEIGHT	700 Kg.

## CA250 CALIBRATION

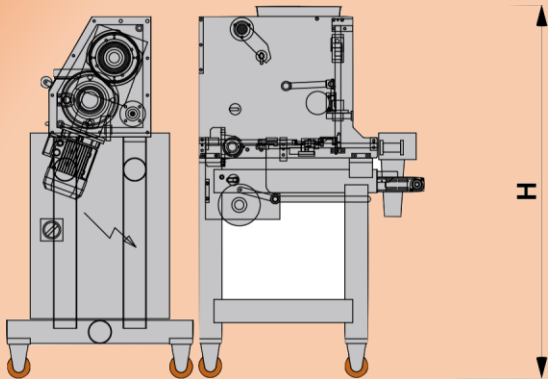
---

WIDTH SHEET	250 mm
CALIBRATION ADJUSTEMENT	thin sheets
RATE PRODUCTION	130 kg/ora

## RAROO LOADING STUFFING

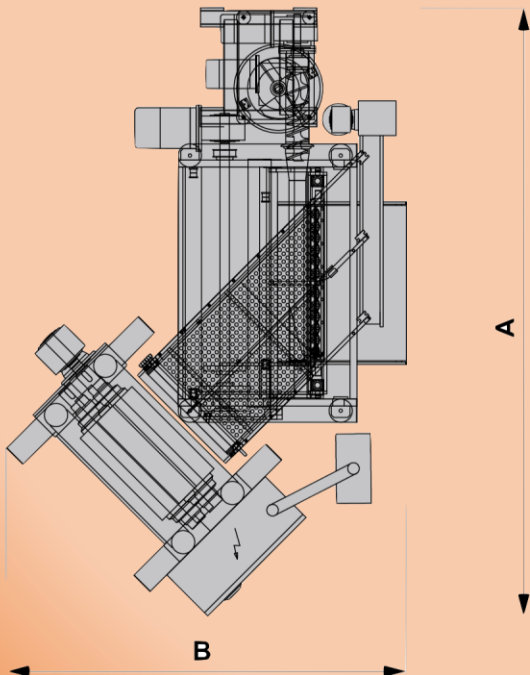
---

POWER SYSTEM	worm screw
QUANTITY STUFFING	external continuous
DOSAGE REGULATION	single figure
MINIMUM LOAD	10 kg.



## WORK CICLE

The operation has been conceived to guarantee the maximum efficiency of pasta sheet usage.....



## TB 250-6F1 Tortellino Format

CUT/IMPRINT DIMENSION	35X35 mm (smooth)*
FINISHED TORTELLINO WEIGHT	da 1,8 a 2,2 gr.
IMPRESSION OF NUMBER	6 diagonal patented
BEST FOR REPLAC. PRODUCTS	6
RATE PRODUCTION	up to 70 kg./h

\* A request can be ragged

## TB 250-5F1 Tortellino Format

CUT/IMPRINT DIMENSION	44X44 mm (smooth)*
FINISHED TORTELLINO WEIGHT	da 3,5 to 4 gr.
IMPRESSION OF NUMBER	5 diagonal patented
BEST FOR REPLAC. PRODUCTS	5
RATE PRODUCTION	up to 100 kg/ora

\* A richiesta può essere frastagliato

## OVERALL DIMENSION

<u>A</u>	<u>2.280 mm</u>
<u>B</u>	<u>1.580 mm</u>
<u>H</u>	<u>1.680 mm</u>

Warning: teh value indicated are only approximate and may not, Therefore, be considered binding.